

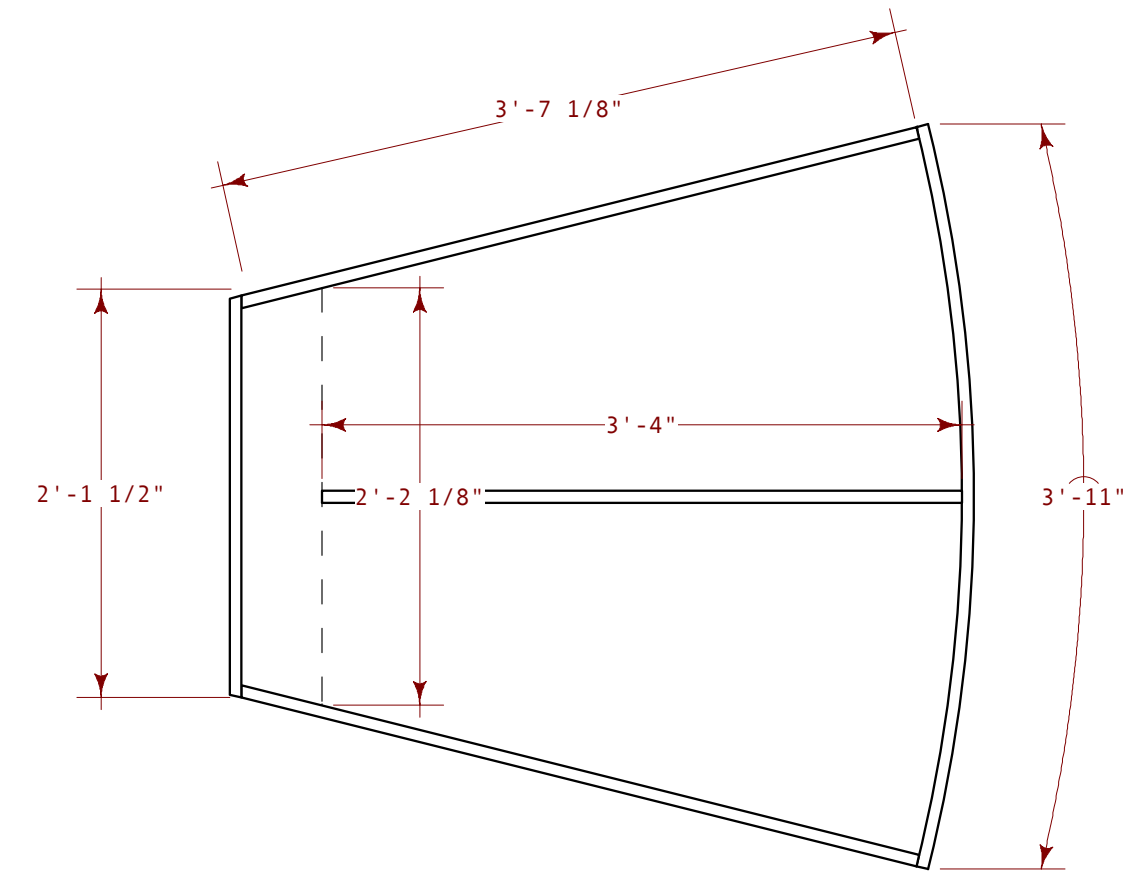
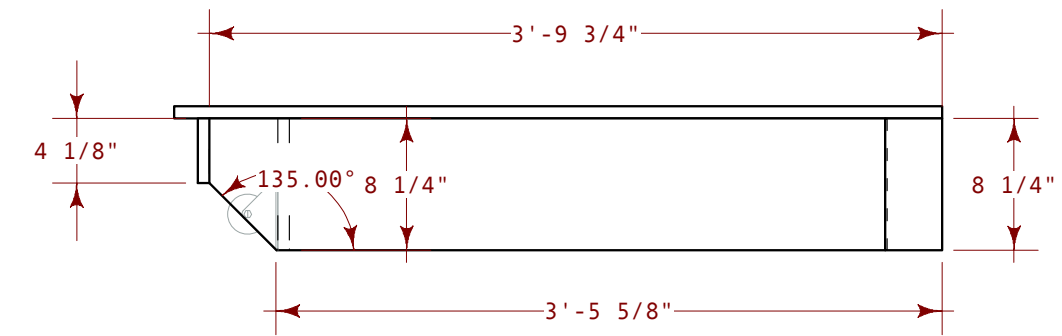
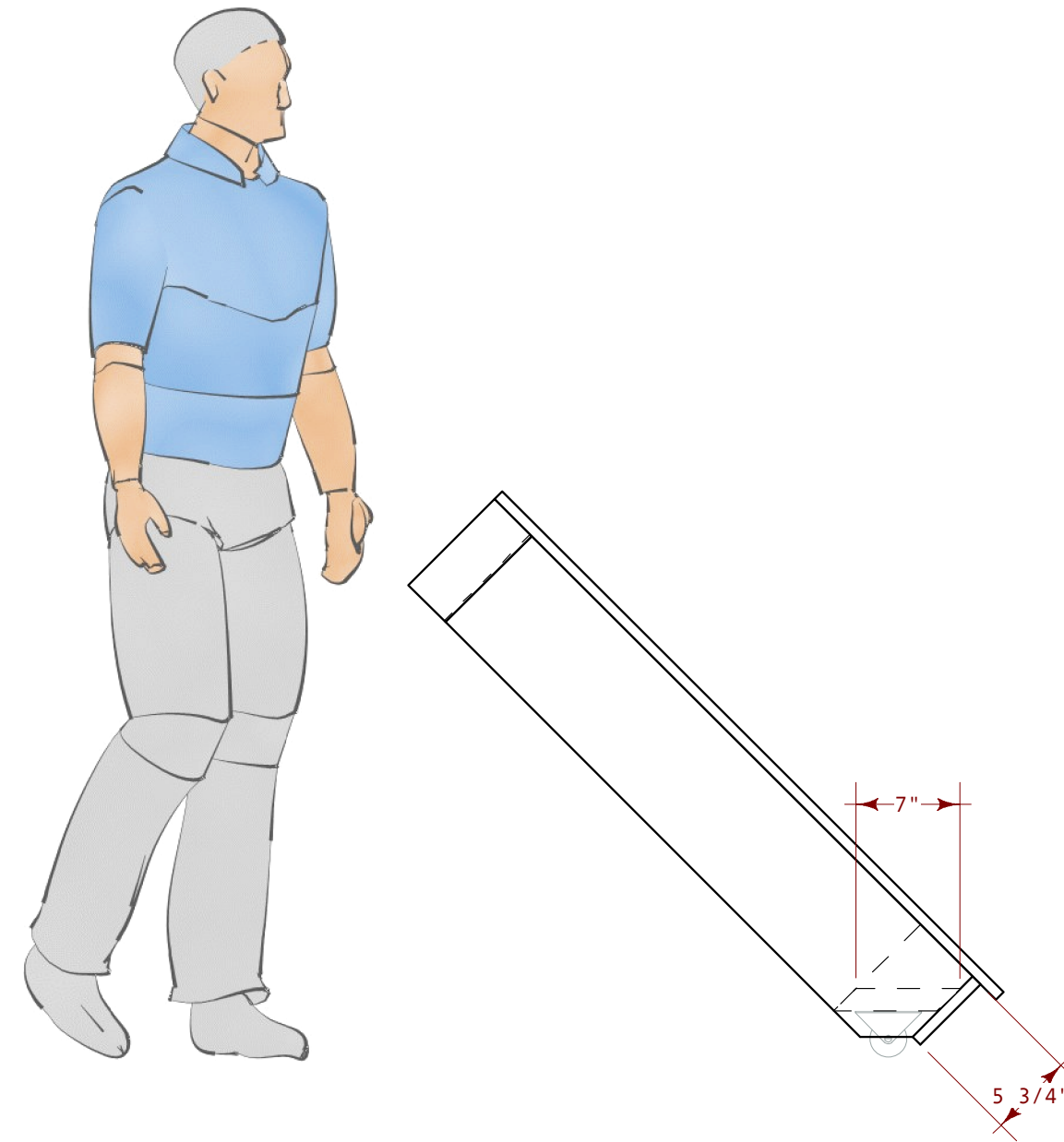
CUT LIST

- (2) 8 1/4" x 3'-7 1/8" - 14 Degree Miter Parallel + 45° End Cut
- (1) 8 1/4x" x 3'- 4"
- (2) 8 1/4x" x 2'-2 1/8" - 14 Degree Miter Trapezoid
- (1) 4 1/8" x 2'-1 5/8" - 14 Degree Miter Trapezoid
- (1) 5/8" Ply Top (See Top Detail for specifications)
- (1) 1/8" Masonite Top Surface (rout to match top deck)
- (2) 2 1/2" Fixed Caster (125 lb rated)

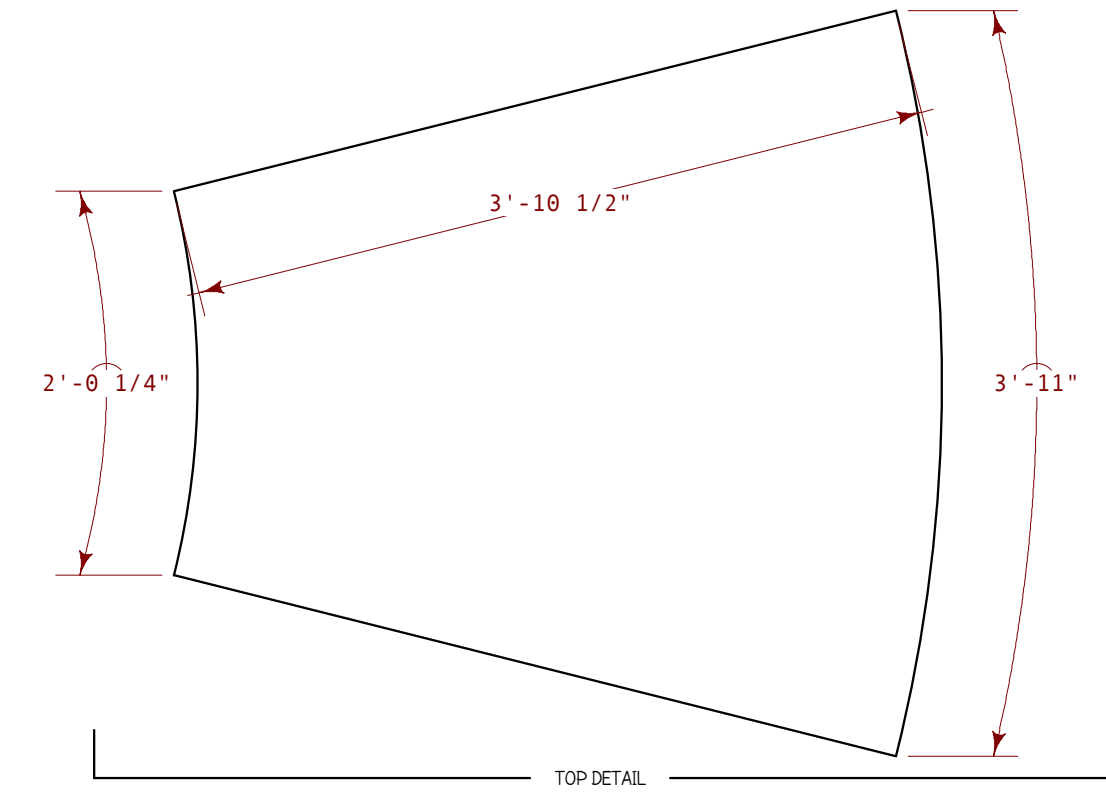
NOTE:

Indicated length is always the long side on mitered elements.

BUILD 4



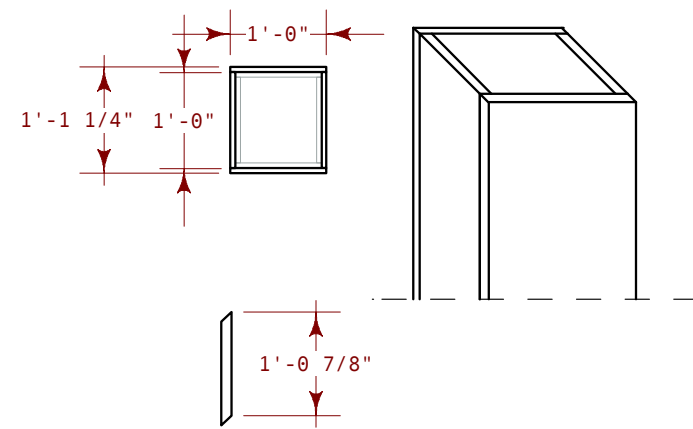
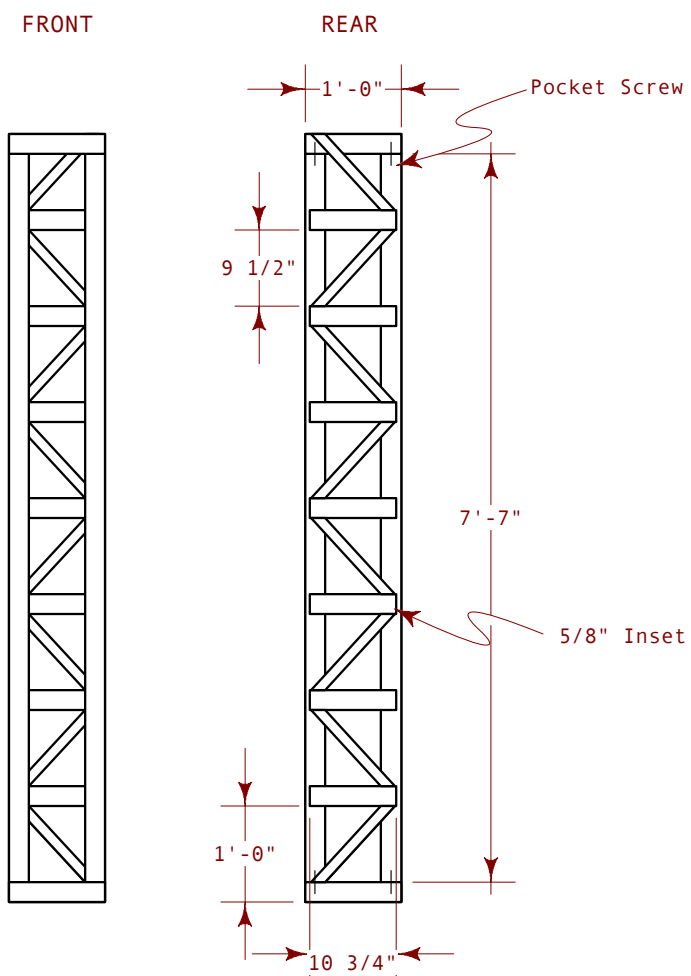
FRAMING DETAIL



TOP DETAIL

|                    |               |               |            |
|--------------------|---------------|---------------|------------|
| Bloody Bloody AJ   |               |               |            |
| Wedge Unit Details |               |               |            |
| DESIGNED BY        | ROBERT GRAHAM | APPROVAL DATE | 11/18/2015 |
| SCALE              | 1.0           | REVISION DATE | 11/22/15   |
| 1" = 1'-0"         |               |               | 1 OF 8     |

TRUSS TOWER FACE -DETAIL



TRUSS TOWER CUT LIST: (PER FACE)

- (2) @ 2 1/2" X 96"
- (2) @ 2 1/2" X 12"
- (8) @ 1 1/4" X 12 7/8" - 47 Degree Parallel Mitre
- (7) @ 2 1/2" x 10 3/4"

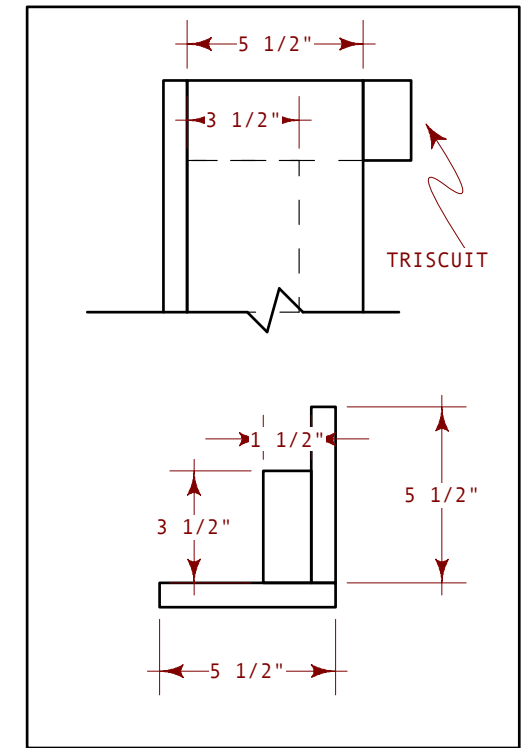
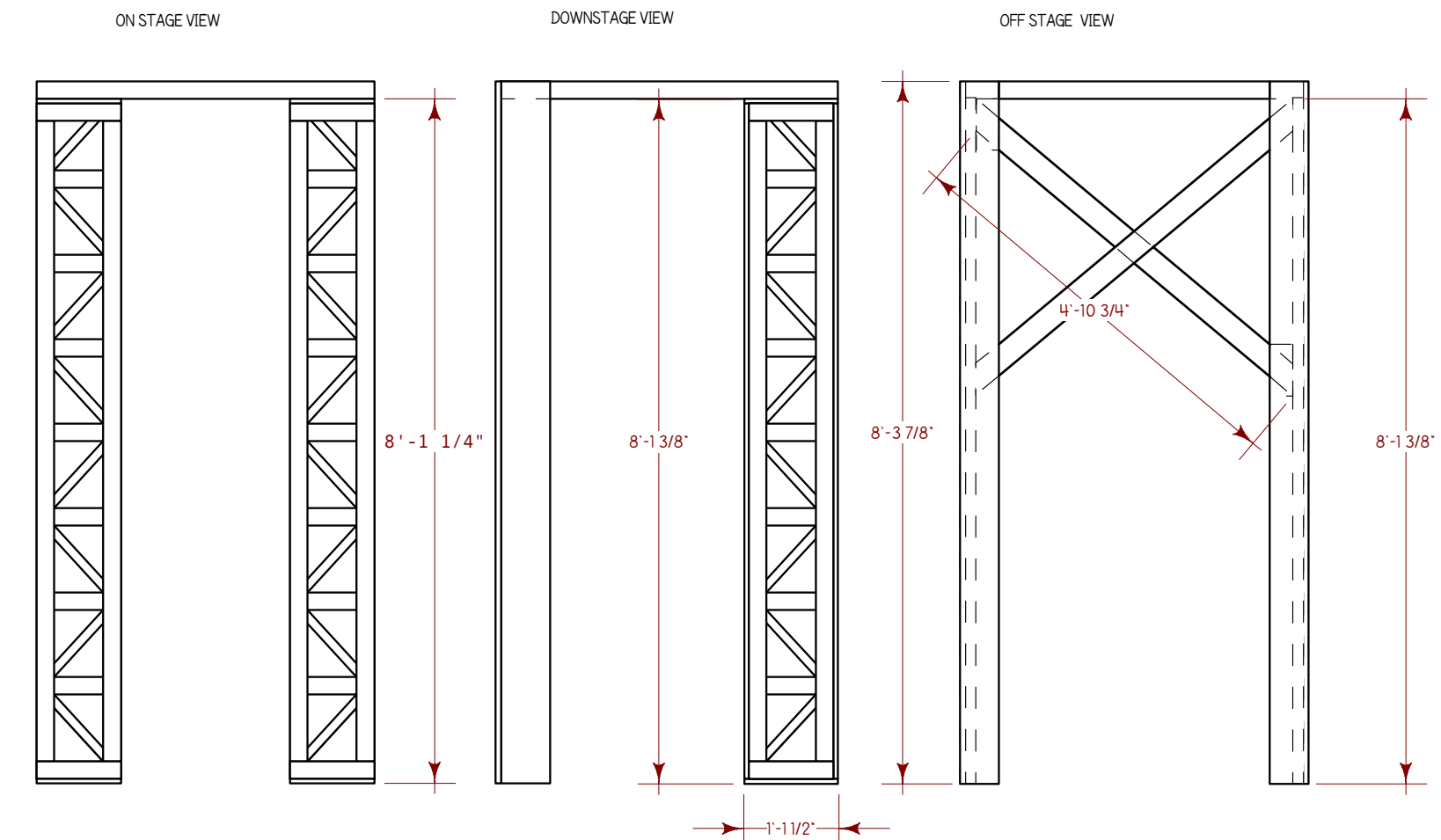
- (4) FACES PER TOWER
- (2) @ 12" x 13 1/4" END PLATES PER TOWER

ALL MATERIAL AC 5/8 PLY  
Glue & Staple Using Narrow Crown @ 1-1/4" Staples

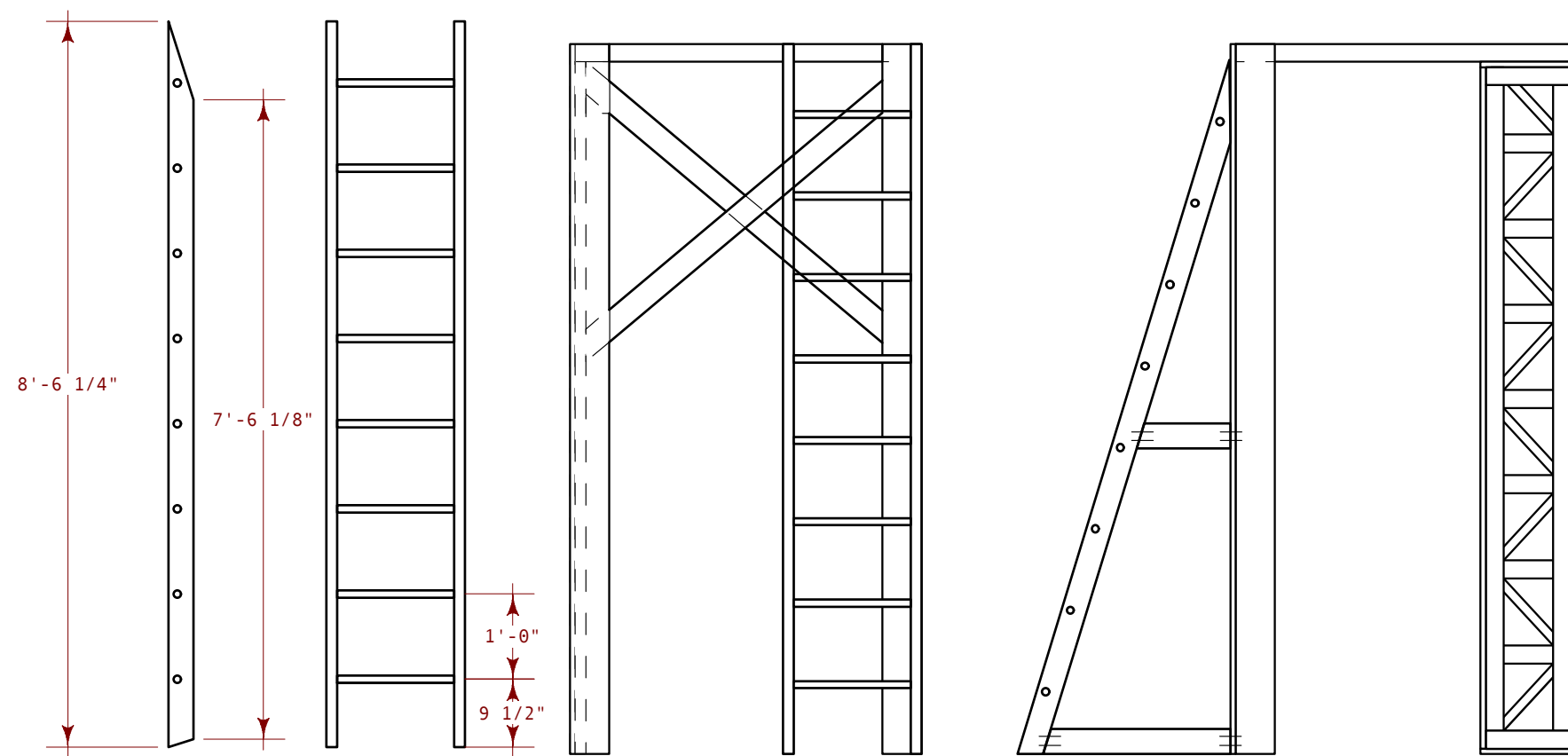
Build 4 Towers

- 32 @ 2-1/2" x 96" Strips Required for Project
- 10 @ 1-1/4" x 96" Strips Required for Project

TOWER PLATFORM DETAIL



REAR LEG ASSEMBLY DETAIL  
PLAN VIEW  
SCALE 2" = 1'-0"

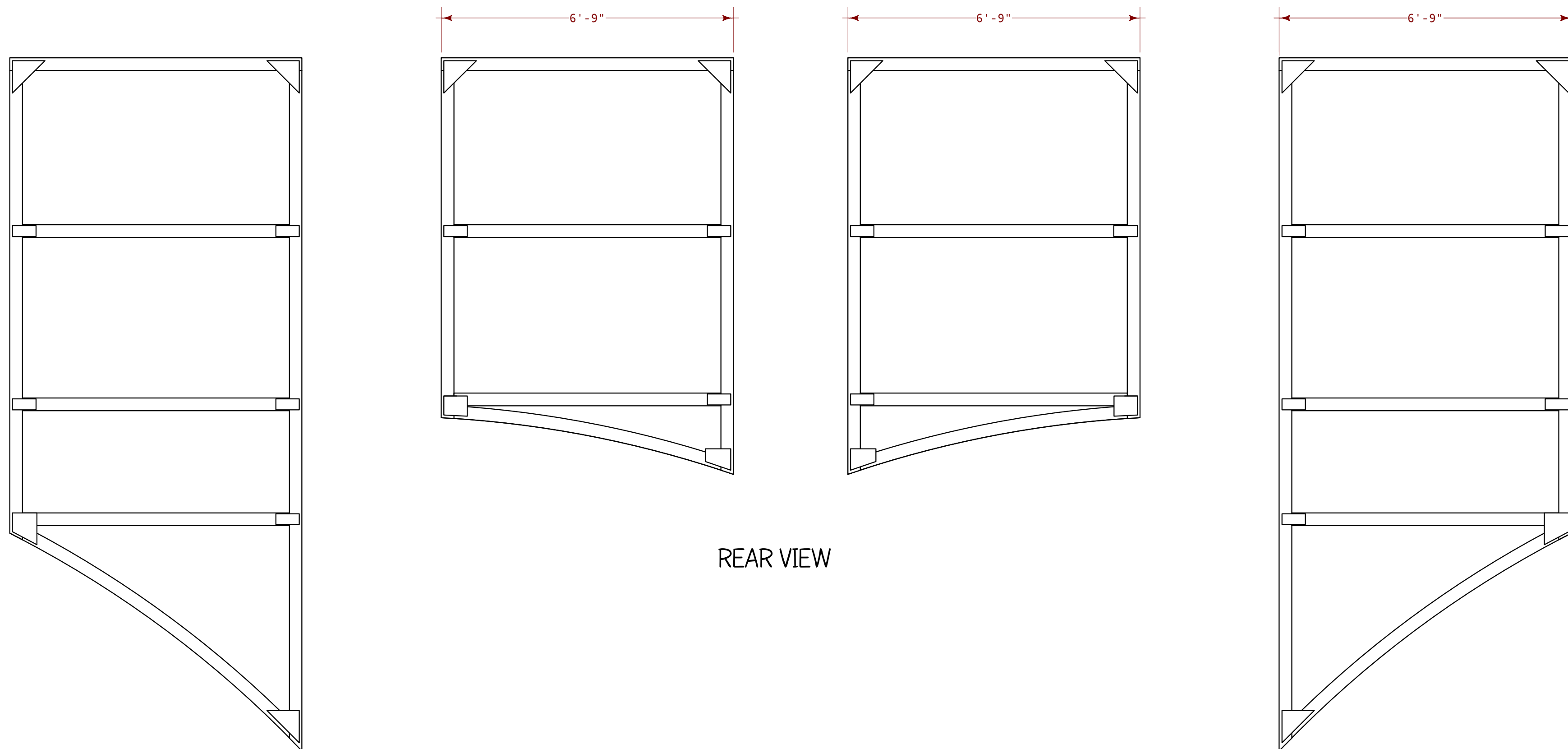
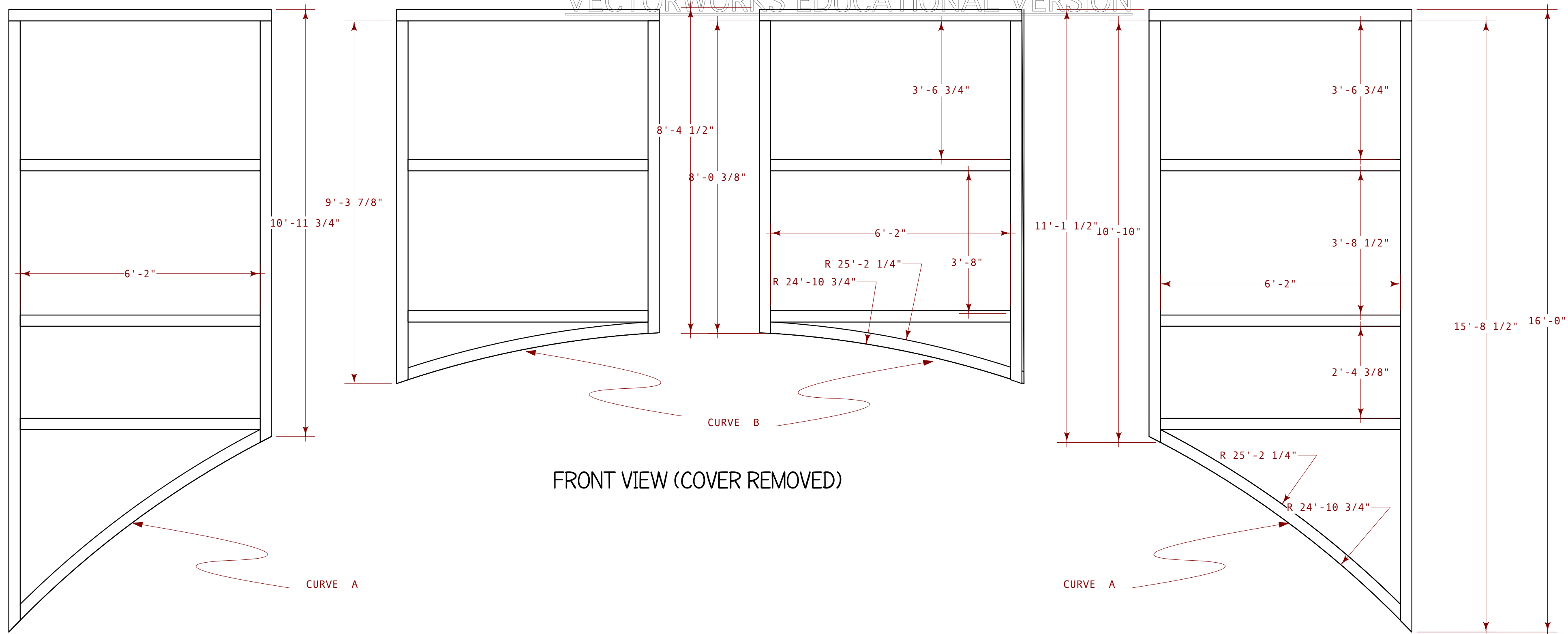


Rear Leg Cut List - BUILD 2 Per Unit (4 Total)

- (1) 1x7" x 8'- 3-7/8" - Manufacture using 5/8 Ply (Rip 7" True)
- (1) 2x4 x 8'- 1 1/4"
- (2) 1x4 x 4'- 10 3/4" Parallel Miter 40 Degrees

Screw 2x4 to 1x6, 18" Spacing,  
Pilot Hole & Screw 1x6 edges.  
DO NOT GLUE.

|                            |                             |
|----------------------------|-----------------------------|
| Bloody Bloody AJ           |                             |
| Truss Tower Details        |                             |
| DESIGN BY<br>Robert Graham | APPROVAL DATE<br>11/18/2015 |
| VERSION<br>1.0             | REVISION DATE<br>11/23/15   |
| 1/2"<br>= 1' - 0"          |                             |
|                            | 2 OF 8                      |



CUT LIST

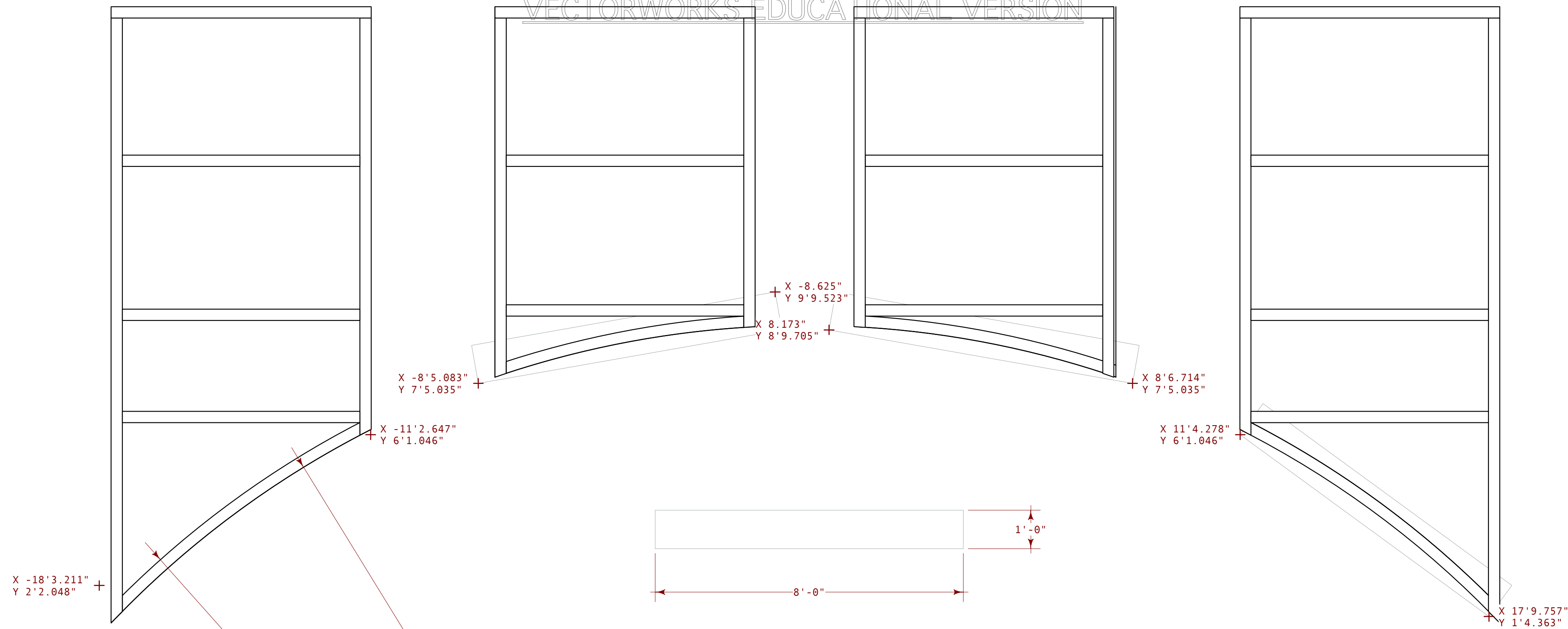
PANEL A (x2)

- (1) 1x4 x 15'-8 1/2"
- (1) 1x4 x 10'-10"
- (1) 1x4 x 6'-9"
- (3) 1x4 x 6'-2"
- (1) RADIAL CURVE A

PANEL B (x2)

- (1) 1x4 x 8'-0 3/8"
- (1) 1x4 x 9'-3 7/8"
- (2) 1x4 x 6'-2"
- (1) 1x4 x 6'-9"
- (1) RADIAL CURVE B

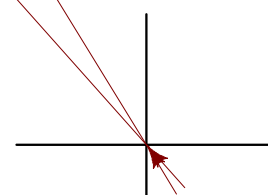
|                            |   |
|----------------------------|---|
| Bloody Bloody AJ           |   |
| Projection Panel Details   |   |
| DESIGN BY<br>Robert Graham | APPROVAL DATE<br>11/18/2015                   |
| SCALE<br>1.0               | REVISION DATE<br>11/23/15                     |
| 1/2"<br>= 1' - 0"          | <b>DRAMA</b><br>JACKSONVILLE STATE UNIVERSITY |
|                            | 3<br>OF<br>8                                  |



R 24'-10 3/4"



R 25'-2 1/4"



|                            |                             |
|----------------------------|-----------------------------|
| Bloody Bloody AJ           |                             |
| Panel Curve Layout         |                             |
| DESIGN BY<br>Robert Graham | APPROVAL DATE<br>11/18/2015 |
| SCALE<br>1.0               | REVISION DATE<br>11/23/15   |
| 1/2"<br>= 1' - 0"          |                             |
|                            | 4<br>OF<br>8                |